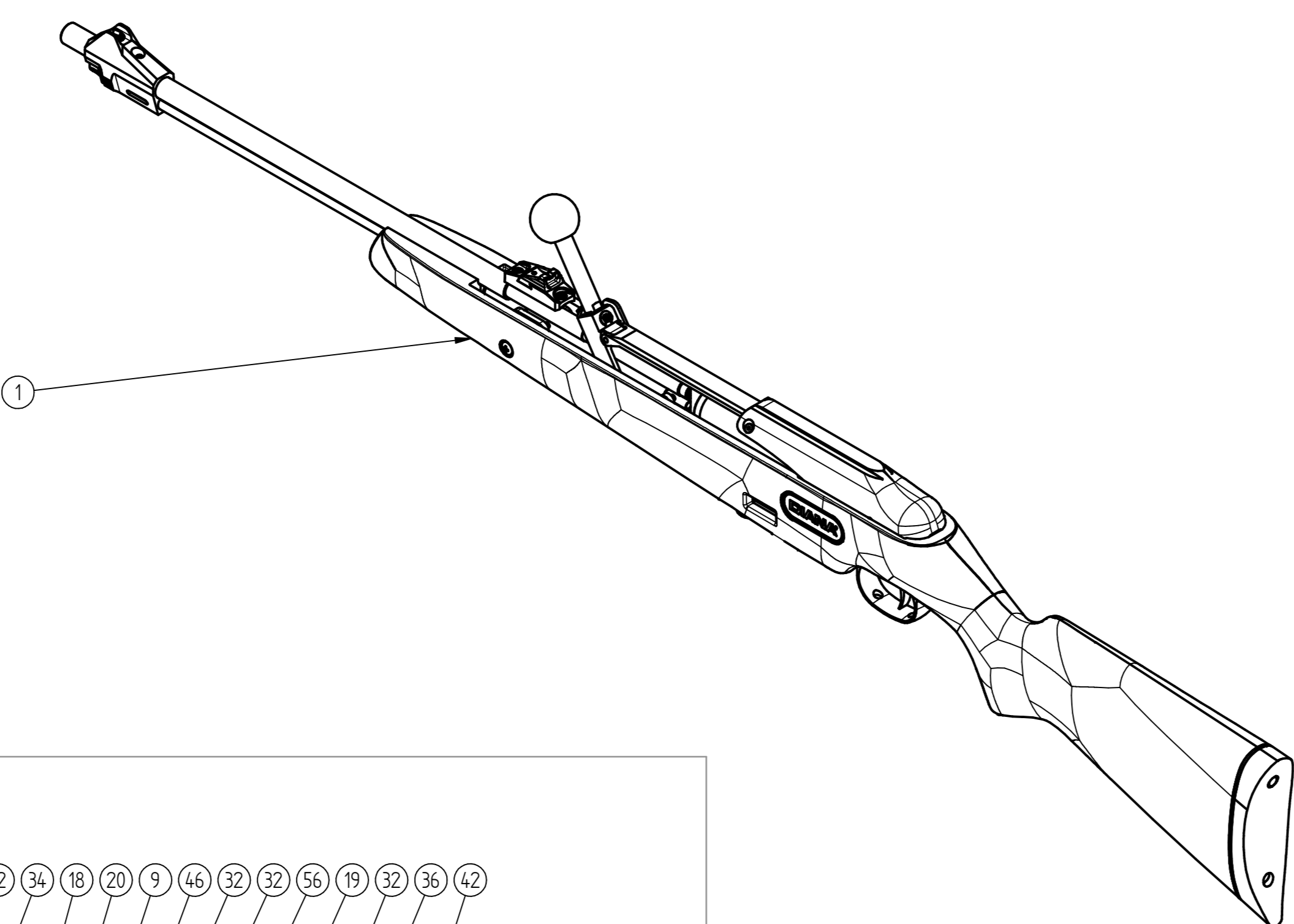
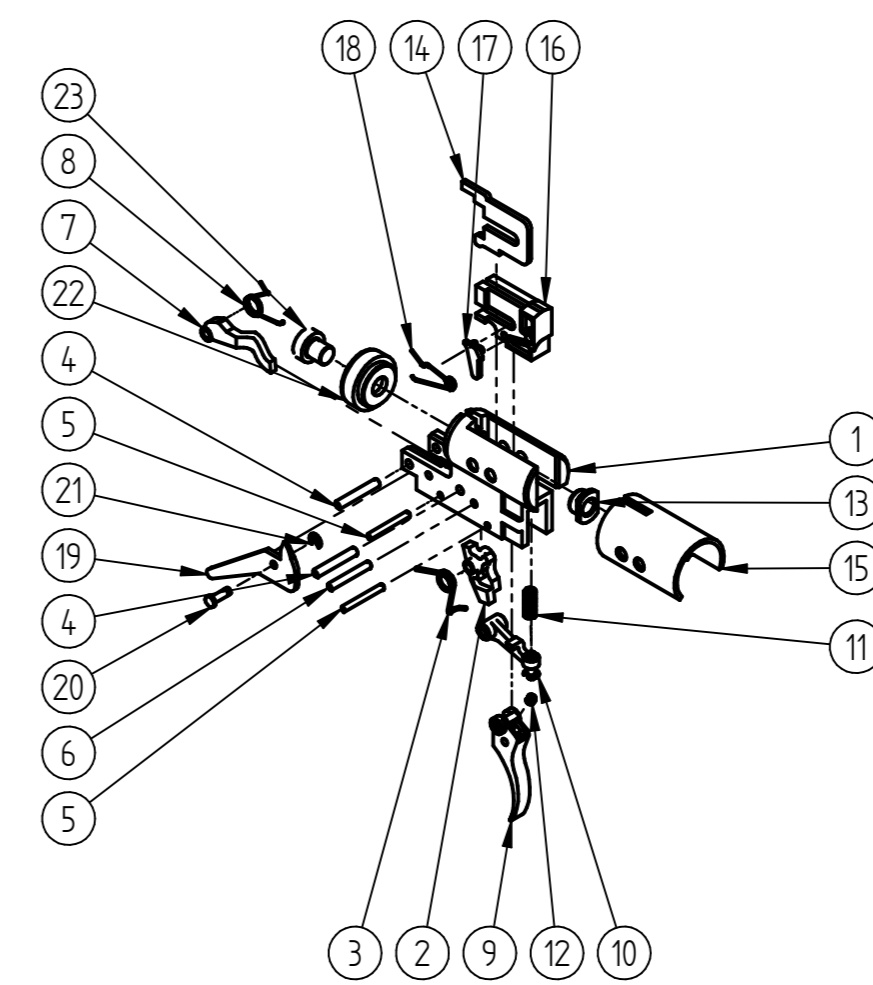
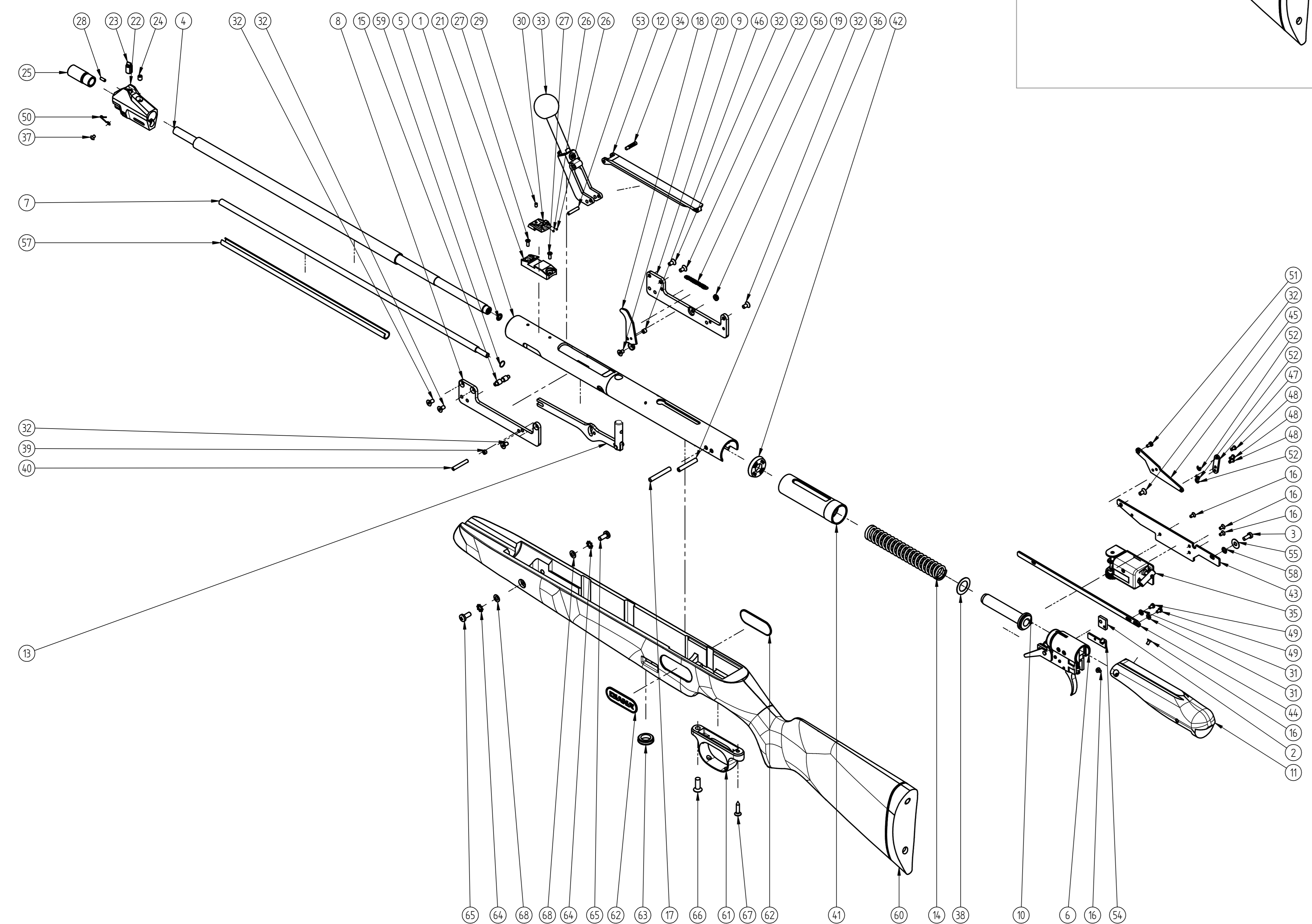


DIANA Modell 30 neo  
Kal. 4,4 rund  
item number: 13004100

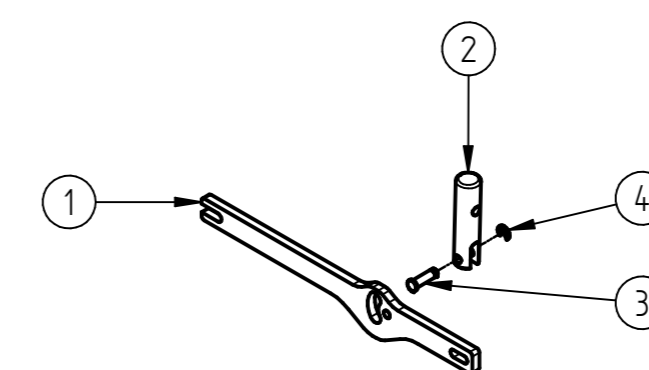
XXXXXXX - Baugruppe mit eigener Stückliste / assembly with separate parts list



| 13004100           |                         |                                  |                                  |                   |
|--------------------|-------------------------|----------------------------------|----------------------------------|-------------------|
| Pos.Nr.<br>POS.ND. | Artikel Nr.<br>ITEM NO. | Bezeichnung DE<br>DESCRIPTION DE | Bezeichnung EN<br>DESCRIPTION EN | Menge<br>QUANTITY |
| 1                  | 13004100.1              | DIANA Modell 30 neo              | Kal. 4,4 rund                    | 1                 |

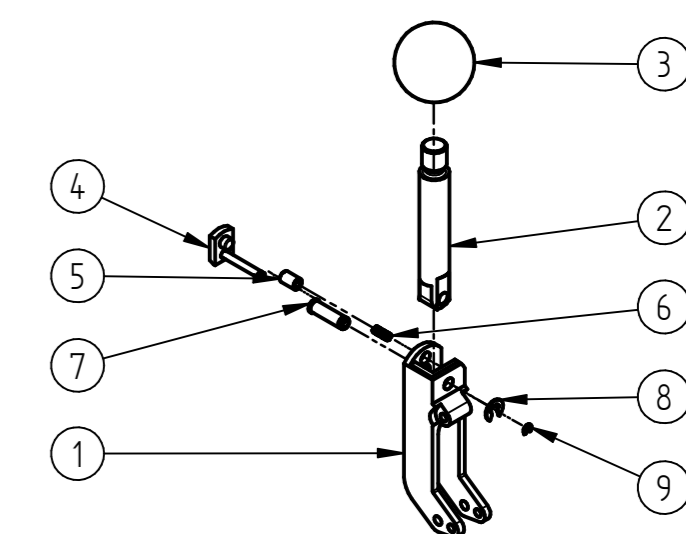


| 530.40.0002        |                         |                                  |                                  |                   |
|--------------------|-------------------------|----------------------------------|----------------------------------|-------------------|
| Pos.Nr.<br>POS.ND. | Artikel Nr.<br>ITEM NO. | Bezeichnung DE<br>DESCRIPTION DE | Bezeichnung EN<br>DESCRIPTION EN | Menge<br>QUANTITY |
| 1                  | 530.40.29.1             | Abzugkasten                      | trigger housing                  | 1                 |
| 2                  | 30983400                | Abzughebel                       | trigger lever                    | 1                 |
| 3                  | 30983500                | Schenkelfeder                    | leg spring                       | 1                 |
| 4                  | 30316300                | Ringkopf-Zylinderstift           | ring head pin                    | 2                 |
| 5                  | 30318900                | Ringkopf-Zylinderstift           | ring head pin                    | 2                 |
| 6                  | 30518900                | Ringkopf-Zylinderstift           | ring head pin                    | 1                 |
| 7                  | 30983600                | Eintrittshaken                   | hook                             | 1                 |
| 8                  | 530.40.35.1             | Schenkelfeder                    | leg spring                       | 1                 |
| 9                  | 30760600                | Abzug T06                        | trigger T06                      | 1                 |
| 10                 | 30760200                | Unterer Haken                    | lower lever                      | 1                 |
| 11                 | 30074700                | Druckfeder                       | spring                           | 1                 |
| 12                 | 30025900                | Feder                            | spring                           | 1                 |
| 13                 | 309858.1                | Gewindebuchse                    | threaded bushing                 | 1                 |
| 14                 | 31002900                | Sicherungschiebereinlage         | safety catch slide               | 1                 |
| 15                 | 530.40.31.1             | Reduzierhülse                    | reducing bush                    | 1                 |
| 16                 | 530.40.34.1             | Sicherungschieber                | safety catch                     | 1                 |
| 17                 | 30759601                | Sicherungshebel                  | safety lever                     | 1                 |
| 18                 | 30759700                | Feder                            | spring                           | 1                 |
| 19                 | 530.20.25.1             | Zählerhebel                      | counter lever                    | 1                 |
| 20                 | 530.20.19.1             | Sicherungsbolzen                 | safety bolt                      | 1                 |
| 21                 | 444.50.09.3             | Sicherungscheibe DIN 6799 - 2.3  | lock washer DIN 6799 - 2.3       | 1                 |
| 22                 | 30990100                | Kolbenjustierhülse               | piston center ring               | 1                 |
| 23                 | 550.42.05.1             | Schraube                         | screw                            | 1                 |

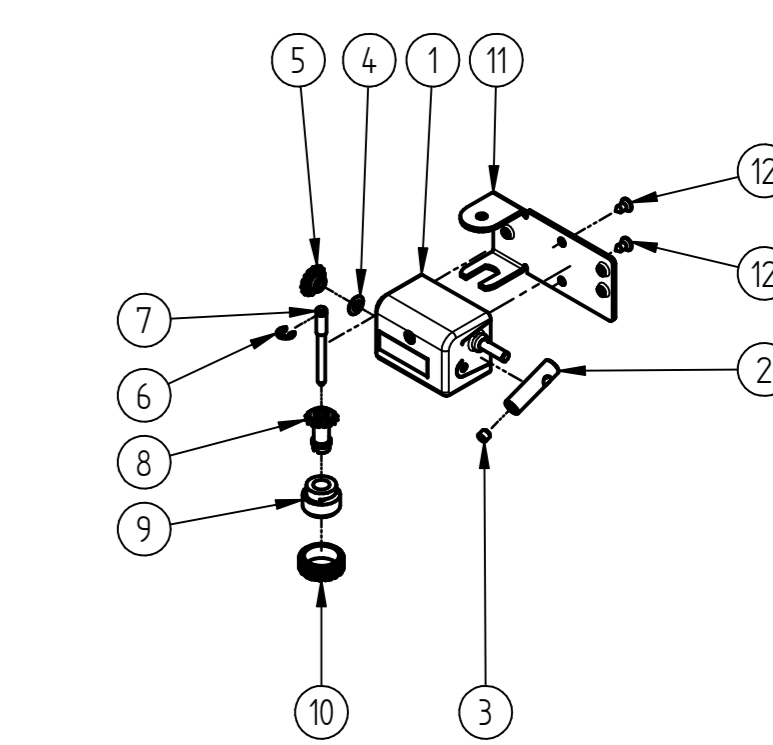


| 530.40.0003        |                         |                                  |                                  |                   |
|--------------------|-------------------------|----------------------------------|----------------------------------|-------------------|
| Pos.Nr.<br>POS.ND. | Artikel Nr.<br>ITEM NO. | Bezeichnung DE<br>DESCRIPTION DE | Bezeichnung EN<br>DESCRIPTION EN | Menge<br>QUANTITY |
| 1                  | 530.40.17.0             | Gelenkhebel                      | joint lever                      | 1                 |
| 2                  | 530.40.05.1             | Ladebolzen                       | feeder                           | 1                 |
| 3                  | 30048800                | Ladebolzenstift                  | feeder pin                       | 1                 |
| 4                  | 444.50.09.3             | Sicherungscheibe DIN 6799 - 2.3  | lock washer DIN 6799 - 2.3       | 1                 |

| 13004100.1         |                         |   |  |                   |
|--------------------|-------------------------|---|--|-------------------|
| Pos.Nr.<br>POS.ND. | Artikel Nr.<br>ITEM NO. | Bezeichnung DE<br>DESCRIPTION DE        | Bezeichnung EN<br>DESCRIPTION EN                   | Menge<br>QUANTITY |
| 1                  | 530.40.0001.0           | Zylinder                                | compression tube                                   | 1                 |
| 2                  | 530.20.27.1             | Stützplatte                             | support plate                                      | 1                 |
| 3                  | 530.20.31.3             | Zylinderschraube DIN 7984 - M4x10       | cap screw DIN 7984 - M4x10                         | 1                 |
| 4                  | 530.30.01.0             | Lauf Kal. 4,4 rund                      | barrel cal. .173 BB                                | 1                 |
| 5                  | 530.30.02.1             | O-Ring Ø6x15                            | o-ring Ø6x15                                       | 1                 |
| 6                  | 530.40.0002             | Abzugkasten                             | trigger housing                                    | 1                 |
| 7                  | 530.40.08.1             | Magazinrohr                             | magazine tube                                      | 1                 |
| 8                  | 530.40.10.0             | Platine links                           | fixing plate left                                  | 1                 |
| 9                  | 530.40.11.0             | Platine rechts                          | fixing plate right                                 | 1                 |
| 10                 | 530.40.14.1             | Federführung                            | spring guide                                       | 1                 |
| 11                 | 530.40.15.1             | Abdeckung                               | cover  | 1                 |
| 12                 | 530.40.16.0             | Spannhebelstange                        | cocking rod  | 1                 |
| 13                 | 530.40.0003             | Gelenkhebel                             | joint lever  | 1                 |
| 14                 | 530.40.19.1             | Feder                                   | spring   | 1                 |
| 15                 | 530.40.36.1             | Achse                                   | axis   | 1                 |
| 16                 | 530.40.22.3             | Senkschraube DIN 7991 - M3x6 - 8.8      | countersunk screw DIN 7991- M3x6 - 8.8             | 5                 |
| 17                 | 530.40.25.0             | Ringkopf-Zylinderstift                  | ring head pin                                      | 1                 |
| 18                 | 530.40.26.1             | Verriegelungshaken                      | locking hook                                       | 1                 |
| 19                 | 530.40.27.0             | Sechskanmutter DIN 439 - M4             | nut DIN 439 - M4                                   | 1                 |
| 20                 | 530.40.28.1             | Senkschraube DIN 7991 - M4x6            | countersunk screw DIN 7991 - M4x6                  | 1                 |
| 21                 | 530.50.01.1             | Kimmebasis                              | rear sight base                                    | 1                 |
| 22                 | 530.50.02.1             | Kornbasis                               | front sight base                                   | 1                 |
| 23                 | 598.50.03.0             | Korn                                    | front sight  | 1                 |
| 24                 | 530.50.04.0             | Gewindestift ISO 4026 - M5x6            | grub screw ISO 4026 - M5x6                         | 1                 |
| 25                 | 530.50.05.1             | Mündungsmuffe                           | muzzle sleeve                                      | 1                 |
| 26                 | 400.50.08.3             | Kugel gelb                              | ball yellow  | 2                 |
| 27                 | 402.25.04.0             | Senkkopfschraube DIN 965 - M3x8         | countersunk screw DIN 965 - M3x8                   | 2                 |
| 28                 | 411.20.53.3             | Gewindestift ISO 4026 - M3x8            | grub screw ISO 4026 - M3x8                         | 1                 |
| 29                 | 411.50.05.3             | Gewindestift ISO 4026 - M3x5            | grub screw ISO 4026 - M3x5                         | 1                 |
| 30                 | 411.50.02.1             | Kimme                                   | rear sight   | 1                 |
| 31                 | 411.60.09.3             | Scheibe DIN 125 - 3,2x7x0,5             | washer DIN 125 - 3,2x7x0,5                         | 2                 |
| 32                 | 440.20.19.3             | Senkschraube DIN 7991 - M4x8            | countersunk screw DIN 7991 - M4x8                  | 7                 |
| 33                 | 530.40.0004             | Spanngelenk                             | cocking hinge                                      | 1                 |
| 34                 | 30044300                | Schubstangenstift                       | pushing rod pin                                    | 1                 |
| 35                 | 530.40.0005             | Zählwerk                                | counter  | 1                 |
| 36                 | 30060400                | Ringkopf-Zylinderstift                  | ring head pin                                      | 1                 |
| 37                 | 30152200                | Senkschraube ISO 7380-1 - M3x4          | rounded head screw ISO 7380-1 - M3x4               | 1                 |
| 38                 | 30309400                | Scheibe                                 | washer   | 1                 |
| 39                 | 30529200                | Gewindestift ISO 4029 - M5x4            | grub screw ISO 4029 - M5x4                         | 1                 |
| 40                 | 530.40.21.0             | Ringkopf-Zylinderstift                  | ring head pin                                      | 1                 |
| 41                 | 530.40.07.1             | Kolben                                  | piston   | 1                 |
| 42                 | 30071600                | Lufkolbenmanschette                     | sear   | 1                 |
| 43                 | 530.20.23.1             | Montageplatte                           | mounting plate                                     | 1                 |
| 44                 | 530.20.21.1             | Überträgerstange                        | supporting bar                                     | 1                 |
| 45                 | 530.20.22.1             | Sicherungsblech                         | safety plate                                       | 1                 |
| 46                 | 530.20.26.1             | Distanzbuchse                           | spacer bushing                                     | 1                 |
| 47                 | 530.20.16.1             | Gelenkhebel                             | joint lever  | 1                 |
| 48                 | 530.20.20.1             | Sicherungsbolzen                        | safety bolt  | 3                 |
| 49                 | 30534800                | Zylinderschraube DIN 7984 - M3x5        | cap screw DIN 7984 - M3x5                          | 2                 |
| 50                 | 530.50.03.1             | Feder                                   | spring   | 1                 |
| 51                 | 530.20.42.1             | Zylinderschraube DIN 7984 - M3x6        | cylinder screw DIN 7984 - M3x6                     | 1                 |
| 52                 | 444.50.09.3             | Sicherungscheibe DIN 6799 - 2.3         | lock washer DIN 6799 - 2.3                         | 3                 |
| 53                 | 530.40.13.0             | Ringkopf-Zylinderstift                  | ring head pin                                      | 1                 |
| 54                 | 530.20.17.1             | Sicherungsblech                         | safety plate                                       | 1                 |
| 55                 | 30202000                | Scheibe                                 | washer   | 1                 |
| 56                 | 530.20.36.1             | Zugfeder                                | tension spring                                     | 1                 |
| 57                 | 530.30.03.1             | Magazinschutz                           | magazine cover                                     | 1                 |
| 58                 | 30053000                | Scheibe                                 | washer   | 1                 |
| 59                 | 530.30.04.1             | O-Ring Ø7,5x0,5                         | o-ring Ø7,5x0,5                                    | 1                 |
| 60                 | 530.20.01.1             | Schaft                                  | stock  | 1                 |
| 61                 | 30320800                | Abzugbügel                              | trigger guard                                      | 1                 |
| 62                 | 30056300                | Schild                                  | badge  | 2                 |
| 63                 | 530.20.35.1             | Schlüssellochabdeckung                  | key hole cover                                     | 1                 |
| 64                 | 30238200                | Zahnscheibe DIN 6797 - A 5.3            | tooth lock washer DIN 6797 - A 5.3                 | 2                 |
| 65                 | 30133700                | Senkschraube DIN 7985 - M5x12 - H       | rounded head screw DIN 7985 - M5x12 - H            | 2                 |
| 66                 | 30985500                | Senkschraube DIN 966 - M6x18 - H        | raised countersunk screw DIN 966 - M6x18 - H       | 1                 |
| 67                 | 30367500                | Holzschraube Linsenkopf DIN 7995 - 4x20 | wood screw raised countersunk head DIN 7995 - 4x20 | 1                 |
| 68                 | 444.20.36.0             | Passscheibe DIN 988 - 5x10x0,5          | adjusting washer DIN 988 - 5x10x0,5                | 2                 |



| 530.40.0004        |                         |                                  |                                  |                   |
|--------------------|-------------------------|----------------------------------|----------------------------------|-------------------|
| Pos.Nr.<br>POS.ND. | Artikel Nr.<br>ITEM NO. | Bezeichnung DE<br>DESCRIPTION DE | Bezeichnung EN<br>DESCRIPTION EN | Menge<br>QUANTITY |
| 1                  | 30043900                | Spanngelenk                      | cocking hinge                    | 1                 |
| 2                  | 530.40.12.1             | Spannhebel                       | cocking lever                    | 1                 |
| 3                  | 530.40.32.1             | Kugelkopf                        | ball grip                        | 1                 |
| 4                  | 30045300                | Anschlagplatte                   | stop plate                       | 1                 |
| 5                  | 30045200                | Indexhülse                       | bushing                          | 1                 |
| 6                  | 30048000                | Druckfeder                       | spring                           | 1                 |
| 7                  | 530.40.06.1             | Sicherungsbolzen                 | safety bolt                      | 1                 |
| 8                  | 444.40.08.3             | Sicherungscheibe DIN 6799 - Ø4   | lock washer DIN 6799 - Ø4        | 1                 |
| 9                  | 30840000                | Sicherungscheibe DIN 6799 - 1.9  | lock washer DIN 6799 - 1.9       | 1                 |



| 530.40.0005        |                         |   |  |                   |
|--------------------|-------------------------|---|--|-------------------|
| Pos.Nr.<br>POS.ND. | Artikel Nr.<br>ITEM NO. | Bezeichnung DE<br>DESCRIPTION DE              | Bezeichnung EN<br>DESCRIPTION EN                     | Menge<br>QUANTITY |
| 1                  | 530.20.40.1             | Zählwerk                                      | counter  | 1                 |
| 2                  | 530.20.30.1             | Transportbolzen                               | transport bolt                                       | 1                 |
| 3                  | 30295300                | Gewindestift DIN 916 - M4x4                   | grub screw DIN 916 - M4x4                            | 1                 |
| 4                  | 530.20.38.1             | Tellerfeder DIN 2093 - A 8x3,2x0,3            | disc spring DIN 2093 - A 8x3,2x0,3                   | 1                 |
| 5                  | 30050300                | Kegelrad                                      | bevel gear wheel                                     | 1                 |
| 6                  | 30050000                | Sicherungscheibe DIN 6799 - 3.2               | lock washer DIN 6799 - 3.2                           | 1                 |
| 7                  | 530.20.29.1             | Kegelradwelle                                 | bevel shaft  | 1                 |
| 8                  | 30049800                | Kegelrad                                      | bevel gear wheel                                     | 1                 |
| 9                  | 530.20.41.1             | Schlusselführung                              | key guide  | 1                 |
| 10                 | 530.20.28.1             | Rändelmutter                                  | knurled nut  | 1                 |
| 11                 | 530.20.24.1             | Zählwerkmontageplatte                         | mounting plate counter                               | 1                 |
| 12                 | 530.20.39.1             | Blech-Senkschraube DIN 7050 - 2,9x6,5 - C - H | tapping countersunk screw DIN 7050 - 2,9x6,5 - C - H | 2                 |